

# CONTENTS

## ABOUT US

### Why choose us

### Enterprise qualification

### Portable EV Charger

### AC EV Charger

### DC EV Charger

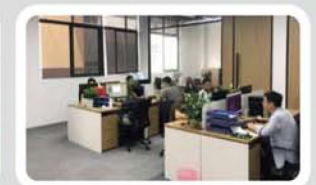
### Project Case

## ABOUT US

- Founded in 2017, total-solution supplier of EV charging station and cloud management system
- Top R&D team in China, rich experience in international protocol (OCPP 1.6 above)
- Full-range products, exported to 25 countries and regions since 2018
- Independent capability of Design, Manufacture and Sales, all-in-one service
- Production line covers Portable Charger, AC Charger, DC Charger, Power Module and Cloud Management System and Mobile APP, all independently developed by ourselves



Professional team  
 It has obtained more than 30 patents and computer software works





## Why Choose Us

Technology and products are core competencies. We are a total-solution supplier of hardware and software, as well as one-stop customization.

### Product innovation

Modular designed products facilitate customization for different customers. Every year we upgrade our products and develop new technology (e.g. bluetooth Mesh, ISO15118, OCPP 1.6), to meet the edge-leading demand of the market.

### Flexible production capacity

Besides our own factory, we also cooperate with the professional subcontract factory to provide more flexible capacity, which help us to keep a competitive business.

### Aggressive cost

We aim to provide the best products with the best cost. We internally make cost down by product design improvement and supply chain price negotiation.

### Marketing spread

Our products have been exported to >20 countries (Norway, Italy, UK, Germany, Korea, Sweden, Poland, Australia, Romania, Thailand etc.). Global player with Chinese speed.





# Enterprise qualification



Computer software copyright  
Registration certificate



Tested by multiple authorities



Invention patent



Insurance



Verification of Compliance

**Certificate Number: B-R210737457**  
**RoHS Directive 2011/65/EU Annex II**  
**amending Annex (EU)2015/863 and**  
**amending Annex (EU)2017/2102**

**Beide**  
Compliance Technology

Holder: Guangzhou Kinouwell Technology Co., Ltd.  
 Address: Room 402, Building 2, Innovation Smart Port, No.155 Hongfian Road, Huangpu Community, Shajing Street, Baoan District, Shenzhen City, Guangzhou Province, China  
 Manufacturer: Same As Holder  
 Product: AC EV Charger  
 Model No.: YLEV7K-Y1, YLEV11K-Y2, YLEV22K-Y3, YLEV44K-Y4

The submitted products have been tested by us and found to be in compliance with the listed European Directives

**EN 50581:2012**

The test results apply only to the particular samples tested and to the specific tests carried out. Technical Report and documentation are at the Holder's disposal.  
 This certificate applies specifically to the sample investigated in our test reference number only.

**CE**   
 Certification Manager  
 Date: Jul. 12, 2021

**Beide (Shenzhen) Product Service Limited**  
 6F, Bldg E, Huarui 3rd Ind Zone, Xixiang, Bao'an Dist, Shenzhen, China  
 Http://www.szbeide.com E-mail: admin@szbeide.com

## CERTIFICATE

### ATTESTATION CERTIFICATE OF ELECTROMAGNETIC COMPATIBILITY AND LOW VOLTAGE DIRECTIVES

Technical file of the company mentioned below has been observed and audit has been completed successfully.  
 2014/30/EU Electromagnetic Compatibility Directive and  
 2014/35/EU Low Voltage Directive have been taken as references for these processes

Company Name: **Guangzhou Kinouwell Technology Co., Ltd.**

Company Address: Room 402, Building 2, Innovation Smart Port, No.155 Hongfian Road, Huangpu Community, Shajing Street, Baoan District, Shenzhen City, Guangdong Province, China

Related Directives and Annex: **2014/35/EU Low Voltage Directive**  
**2014/30/EU Electromagnetic Compatibility Directive**

Related Standards: **EN IEC 61000-6-1:2019; EN 61000-6-3:2007+A1:2011**  
**EN 61851-1:2011; EN 61851-22:2002**

Product Name: **AC EV Charger**

Report No and Date: **8-K21013406 / 8-521013409**

Product Brand/Model/Type: **YLEV7K-Y1, YLEV11K-Y2, YLEV22K-Y3, YLEV44K-Y4**

Certificate Number: **M.2021.304.CA2147**  
 Initial Assessment Date: **01.02.2021**  
 Registration Date: **02.02.2021**  
 Release Date/No: **01**  
 Expiry Date: **01.02.2024**

The validity of this certificate will be confirmed through re-assessment. The CE mark placed on the right of this certificate is valid under the responsibility of the manufacturer. UDEM International Certification Auditing Training Centre (UK) and Trade Inc. Co. is not liable for reference given without the written confirmation of the manufacturer. All claims from the manufacturer of conformity are subject to the manufacturer's internal procedures and UDEM marks the withdrawal of any complaint from the manufacturer.

Address: 6th Floor, Huarui 3rd Ind Zone (Bldg E) Trade Inc. Co. 215 Cantonment - Ankara - Turkey  
 Phone: +91 932 443 02 70 Fax: +91 932 443 02 74  
 E-mail: info@udemcert.com www.udemcert.com

**CE**   
 UDEM International Certification  
 Auditing Training Centre Industry  
 and Trade Inc. Co.



# Computer software are copyright registration certificate



Computer software copyright  
Registration certificate



Tested by multiple authorities



Invention patent



Insurance





# PEVC2107E AC EV Charger

## Modular design

Flexible configuration of functions, convenient maintenance of components, and wireless setting of parameters through smart Bluetooth

## Comprehensive protection

Ground fault detection, intelligent temperature control, L/N anti-reverse connection, double short circuit protection, tilt detection

## Stable networking

4G/industrial-grade Ethernet WIFI, the networking solution has been verified for stability



Model	PEVC2107E
Input/output power	220VAC±20%(50Hz±5Hz)
Rated Output	7KW
Rated Current	32A
Charging method	Swipe card
HMI	4.3 inch LCD
Charging Interface	Type 2/ SAE J1772
Network Gateway	Bluetooth/WiFi (4G/Ethernet Optional)
Safety Function	Input over/under voltage, output overload, emergency stop
Protection Grade	IP55
Standard	IEC61851-1, IEC62196-1/2
Product Dimension	270mm*132mm*362mm
Package Dimension	490*320*230mm
N.W./G.W.	4KG/5KG

# PEVC2201E AC EV Charger

## Stable networking

4G/Industrial Ethernet/WIFI/Bluetooth, a variety of networking methods have been tested for long-term stability and remote upgrade and maintenance

## Comprehensive protection

Ground abnormality detection, line sequence detection, short circuit protection, tilt detection, intelligent dual temperature control, etc.

## Smart and orderly charging

The output power of the whole machine is regulated, and the dual-gun intelligent load distribution is output in an orderly manner



Model	PEVC2201E
Power supply	3P+N+PE
Input voltage	400VAC±10%(50Hz±5Hz)
Output voltage	400VAC±20%
Output current	16A/32A
Output power	11KW/22KW
Protection functions	Over voltage/under voltage protection, over current/short circuit protection, over/under temperature protection, lightning protection, emergency stop protection, RCD Type A and DC 6mA RCD leakage protection.
Ingress protection	IP55
HMI	4.3 inch LCD
Communication	Ethernet/WIFI/4G
Protocol	OCPP-1.6 (JSON)
Standards	IEC 61851-1, IEC 62196-1/2
Shell material	(PC+ABS)-Blend
Product Dimension	300mm*420mm*153.8mm
Package Dimension	590*380*320mm
N.W./G.W.	8.5KG/9.5KG



# Home EV Wallbox

## Safe and fast

The best charging station for home and private use  
Type A+DC 6mA leakage protection

## Simple and intelligent

Home use app with intelligent bluetooth control the wallbox

## Flexible Option

Type 1 or Type 2 charging cable  
Wall-mount or floor-stand installation



IEC62196-2(Type2)



SAE1772 Type 1



Model	PEVC3068E-7	PEVC3068E-11	PEVC3068E-22
<b>Technical features</b>			
Charging capacity	Up to 7KW	Up to 11 KW	Up to 22KW
Input/Output power	230VAC±20%-50/60Hz-32A-1phase	400VAC±20%-50/60Hz-16A-3phase	400VAC±20%-50/60Hz-32A-3phase
RCD	30Ma RCD Type A and DC 6Ma RCD function		
Standby power	<3W		
Measuring accuracy	1%		
Communication	Bluetooth/WIFI(Optional) APP		
User interface	LED/LCD(3.5")/ RFID(mifare iso& IEC 14443A)		
Certificate/Compliance	CE / EN/IEC 61851-1:2017, EN/IEC 61851-21-2:2018		
Charging Interface	Type 2 cable 5M/ SAE J1772	Type 2 cable 5M	Type 2 cable 5M
Special Protection	Over current protection, Residual current protection, Ground protection, Surge protection, Over/Under voltage protection, Over/Under frequency protection, Over/Under temperature protection		
<b>Physical properties</b>			
Warranty	2 years		
Protection	Ip54, IK10,		
Enclosure	Plastic PC940/ Galvanized steel		
Front Panel	Temper glass		
Installation	Wall-mount/Pole-mount		
Cooling	Natural cooling		
Operating temperature	-30℃ to +55℃		
Humidity	Max.95%(non-regulating)		
Product Dimensions	320*230*100(L*W*H)mm		
Package Dimension	462*302*248(L*W*H)mm		
Net Weight	4.5Kg	5.1Kg	5.5Kg
Gross Weight	5.5Kg	6.1Kg	6.5Kg



# Commercial EV Wallbox

## Simple and intelligent

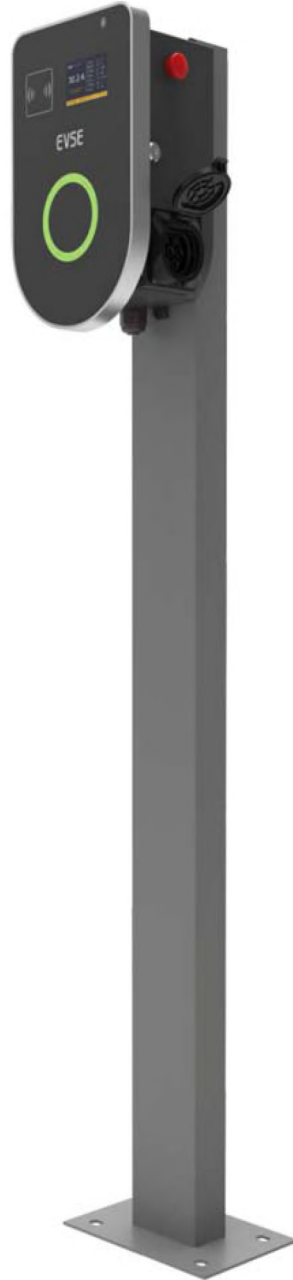
OCPP communication protocol with CMS  
 Wireless communication (Wi-Fi/Bluetooth), Ethernet/4G optional

## Secure and Safe

MID certified energy meter with accurate measurement  
 Type A+DC 6mA leakage protection

## Flexible Option

Universal Type 2 socket, optional with Type 1/Type 2 charging cable  
 Wall-mount or floor-stand installation



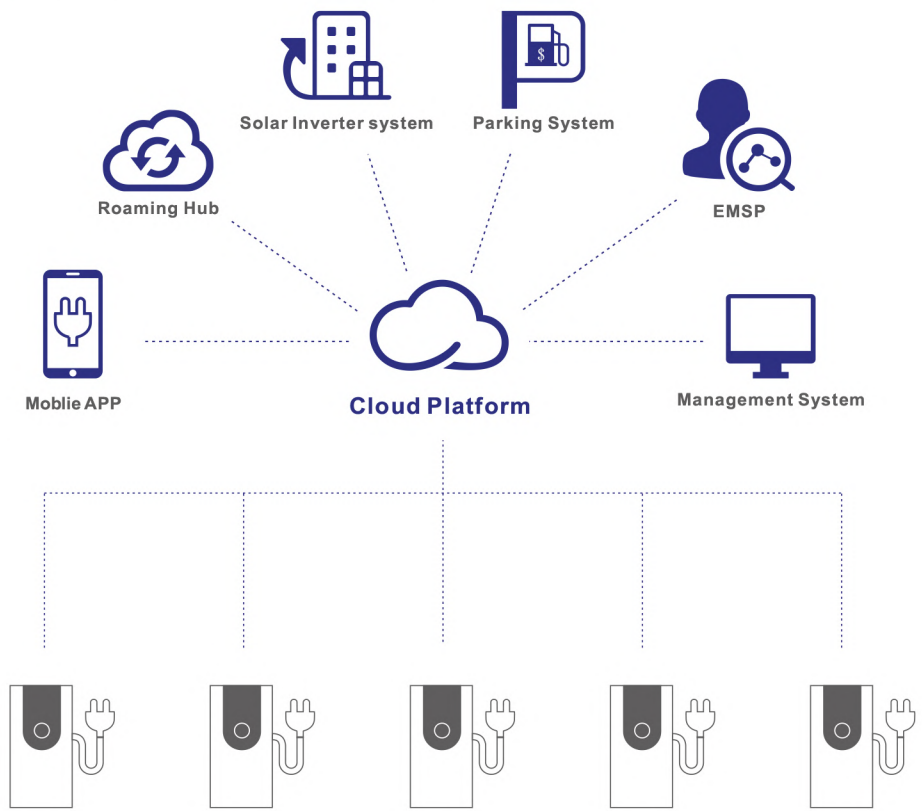
Model	PEVC3068E-7S	PEVC3068E-11S	PEVC3068E-22S
<b>Technical features</b>			
Charging capacity	Up to 7KW	Up to 11 KW	Up to 22KW
Input/Output power	230VAC±20%-50/60Hz-32A-1phase	400VAC±20%-50/60Hz-16A-3phase	400VAC±20%-50/60Hz-32A-3phase
RCD	30Ma RCD Type A and DC 6Ma RCD function or Type B(optional)		
Standby power	<3W		
Measuring accuracy	1%		
Energy Meter	MID certified		
OCPP	OCPP1.6 Json(OCPP2.0 optional)		
Communication	WIFI/Ethernet/4G(Optional)		
User interface	LED/LCD(3.5")/RFID(mifare iso& IEC 14443A)		
Certificate/Compliance	CE / EN/IEC 61851-1:2017, EN/IEC 61851-21-2:2018		
Charging Interface	Type 2 socket		
Special Protection	Over current protection, Residual current protection, Ground protection, Surge protection, Over/Under voltage protection, Over/Under frequency protection, Over/Under temperature protection		
<b>Physical properties</b>			
Warranty	2 years		
Protection	Ip54, IK10,		
Enclosure	Plastic PC940/ Galvanized steel		
Front Panel	Temper glass		
Installation	Wall-mount/Pole-mount		
Cooling	Natural cooling		
Operating temperature	-30°C to +55°C		
Humidity	Max.95%(non-regulating)		
Product Dimensions	320*230*100(L*W*H)mm		
Package Dimension	462*302*248(L*W*H)mm		
Net Weight	4.5Kg	5.1Kg	5.5Kg
Gross Weight	5.5Kg	6.1Kg	6.5Kg



# Cloud Platform

Dedicated to enabling the future of e-Mobility by providing the most open, secure and robust charging network anywhere. A charging platform based on the cloud server makes it simple for charger owners to operate and customize chargers to meet their specific requirements. We provide everything you need to offer a complete EV charging solution.

- **Management System:** A central system for charger operators manage charge points and monitor charging service. Status monitor, charger record, price management, firmware upgrade, remote diagnose, and load balance are offered in one capable system.
- **Mobile App:** A charging App for EV drivers who needs charging service. Price, locations, availability, start/stop charging, and auto billing are available in an easy way.
- **Interoperability:** Connections while e-Mobility Service Providers who have EV drivers as customers are viable through the open charge point interface protocol (OCPI)

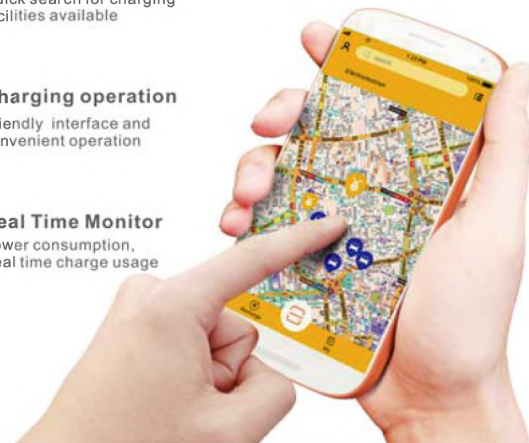


# Mobile App

The charging App connects EV drivers with charging stations, so that they can easily find a charger and enjoy the charging service. It enables users to do location search, charging monitor and payment settlement. All is done in a mobile phone.

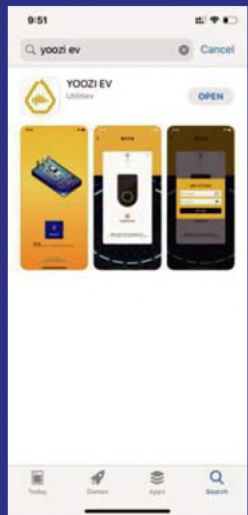
- 
**Online Location Search**  
 Quick search for charging facilities available
- 
**Charging operation**  
 Friendly interface and convenient operation
- 
**Real Time Monitor**  
 Power consumption, Real time charge usage

- 
**Account Signup**  
 Easy signup with a mobile phone number
- 
**Cashless Payment**  
 Mobile payment from credit card, PayPal
- 
**Auto Billing**  
 Secure billing through registered account

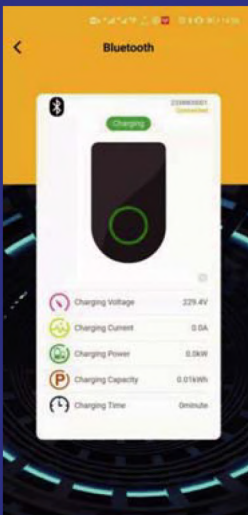


1. Download the App and sign up an account.
2. Plug the charging cable into EV.
3. Scan Qrcode to start charging.
4. Stop charging in the App and settle payment automatically.

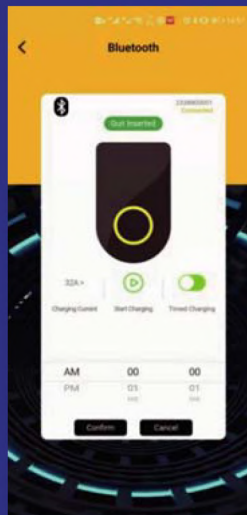
### Intelligent monitoring



### Smart appointment



### Smart appointment



### 3 step

to subsidy Charging stations for electric cars-residential buildings

— Guangzhou Kinouwell Technology Co., Ltd.

Wir fördern folgendes Modell des Herstellers:

✓ YLEV11K-Y2



1

Submit an application in the KfW grant portal



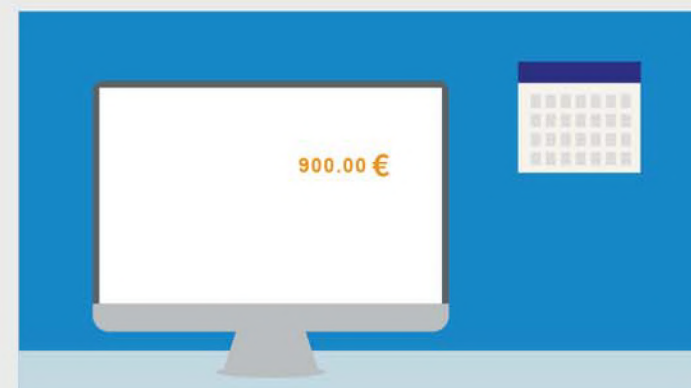
2

Order the charging station and have it installed



3

Upload evidence





# PEVC3106E DC EV Charger Station

## Modular design

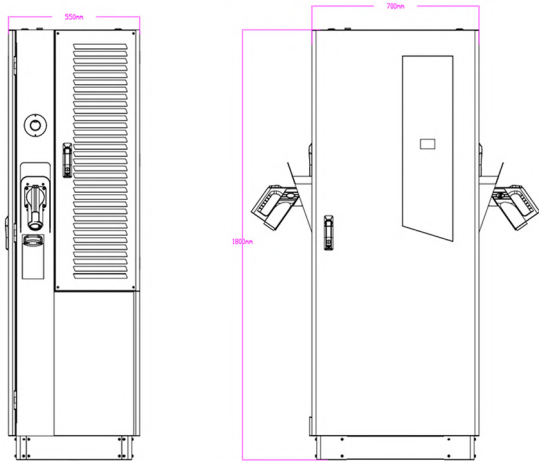
Parallel modular layout, support hot swap of module components, flexible power combination and convenient maintenance

## Extreme heat dissipation

Application of isolation air duct technology to improve the internal heat dissipation efficiency and ensure the stability of operation

## Security

With SOC overcharge protection, battery overcharge protection, BMS data abnormal diagnosis, vehicle battery voltage abnormality detection, leakage, lightning protection and other active protection functions



Model	PEVC3106E
Rated Power	400VAC±15% /50/60Hz
Connector Type	CCS Combo 2
Output Voltage	150-1000VDC
Maximum Output Current	150A/200A
Output Power Rating	60kW(Max) /80kW(Max)
HMI	7-Inch touch screen
Charging Method	RFID Card
Network Connection	Cellular modem:GSM/4G (Optional) LAN:10/100 Base-T Ethernet
Communication Protocol	OCPP 1.6J
Protection	IP54
Product Dimension	700 x 550 x 1800mm(W x D x H)
Protection	Over Current,Under Voltage,Over Voltage,Short Circuit,Residual Current, Surge Protection,Over Temperature,Ground Protection
Certification Standard	EN/IEC 61851-1、 EN/IEC 61851-23、 EN/IEC 61851-24、 EN/IEC62196-1、 EN/IEC62196-3
60 KW can make single and double gun output, 80kw only can make double gun output	



# PEVC3107E DC EV Charger Station

## Modular design

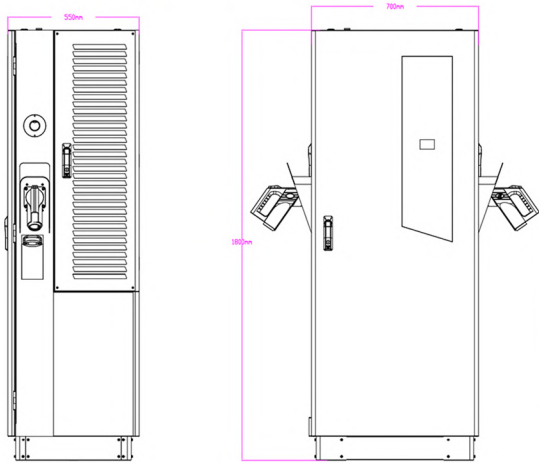
Parallel modular layout, support hot swap of module components, flexible power combination and convenient maintenance

## Extreme heat dissipation

Application of isolation air duct technology to improve the internal heat dissipation efficiency and ensure the stability of operation

## Security

With SOC overcharge protection, battery overcharge protection, BMS data abnormal diagnosis, vehicle battery voltage abnormality detection, leakage, lightning protection and other active protection functions



Model	PEVC3107E
Rated Power	400VAC±15% /50/60Hz
Connector Type	CCS Combo 2
Output Voltage	150-1000VDC
Maximum Output Current	250A (Single Gun)
Output Power Rating	120kW(Max)/160kW(Max)
HMI	7-Inch touch screen
Charging Method	RFID Card
Network Connection	Cellular modem:GSM/4G (Optional) LAN:10/100 Base-T Ethernet
Communication Protocol	OCPP 1.6J
Protection	IP54
Product Dimension	700 x 550 x 1800mm(W x D x H)
Protection	Over Current,Under Voltage,Over Voltage,Short Circuit,Residual Current, Surge Protection,Over Temperature,Ground Protection
Certification Standard	EN/IEC 61851-1、EN/IEC 61851-23、EN/IEC 61851-24、EN/IEC62196-1、EN/IEC62196-3





# PEVC3401E DC EV Charger Station

## Simple and compact

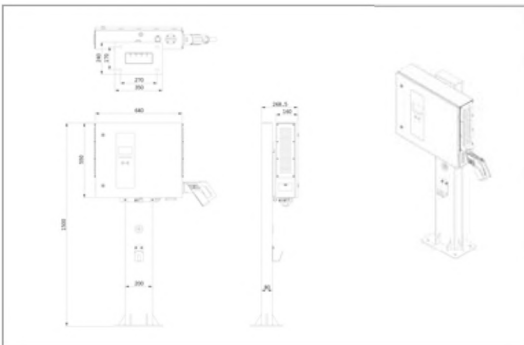
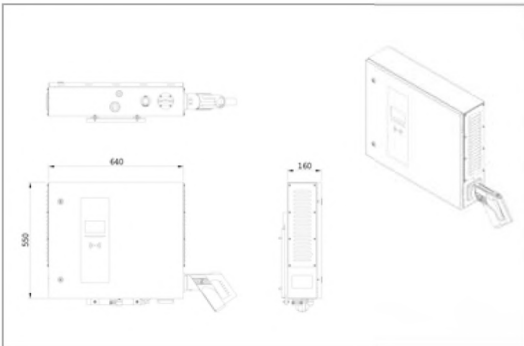
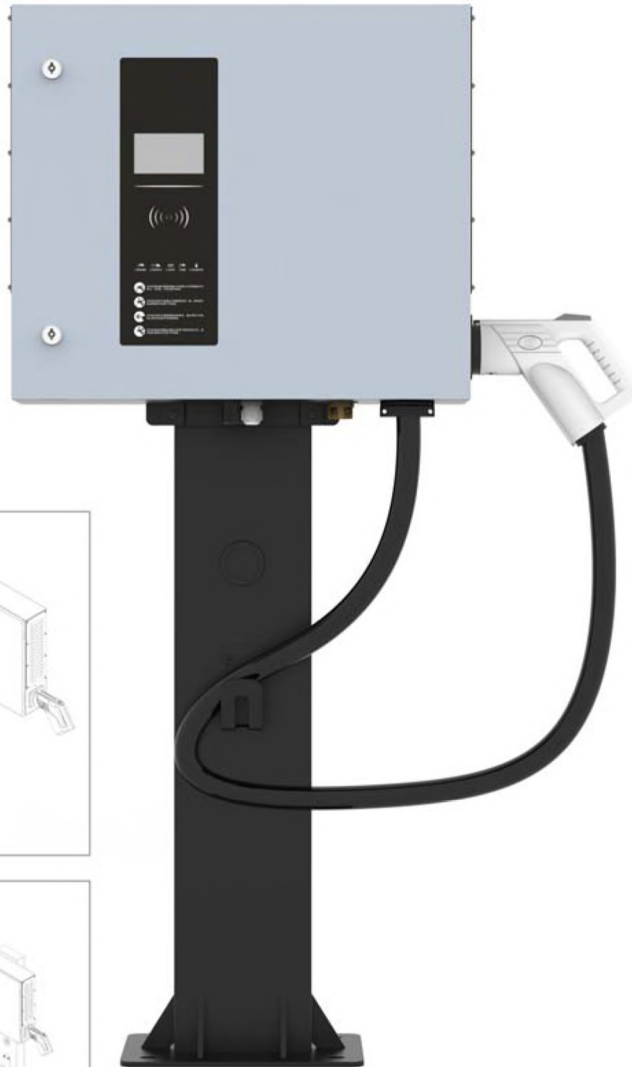
Support column and wall mounting methods, occupy a small space, and take care of both operation and home use

## Security

With SOC overcharge protection, battery overcharge protection, BMS data abnormal diagnosis, vehicle battery voltage abnormal detection, leakage, lightning protection and other active protection functions

## Stable and reliable

Long-term operation test of a large number of stations, vehicle-level product design process, and perfect quality management system to ensure product quality



Model	PEVC3401E
Power Supply	3P+N+PE
Rated Voltage	400VAC±15%/ 50/60Hz
Connector Type	CCS
Output Voltage	150-1000VDC
Maximum Output Current	100A/125A
Output Power Rating	30KW(Max)/40KW(Max)
HMI	4.3-Inch Touchscreen
Charging Method	RFID Card
Network Connection	Ethernet/Wifi
Communication Protocol	OCPP 1.6J
Protection	IP54
Product Dimension	700 x 550 x 1800mm(W x D x H)
Protection	Over Current, Under Voltage, Over Voltage, Short Circuit, Residual Current, Surge Protection, Over Temperature, Ground Protection
Certification Standard	EN/IEC 61851-1, EN/IEC 61851-23, EN/IEC 61851-24, IEC62196-1, IEC62106-3



# Project Case

